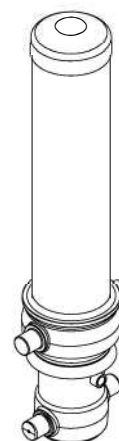
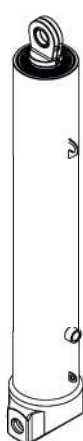
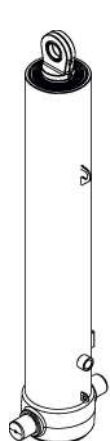




## SAMPLE CODING SCHEMA

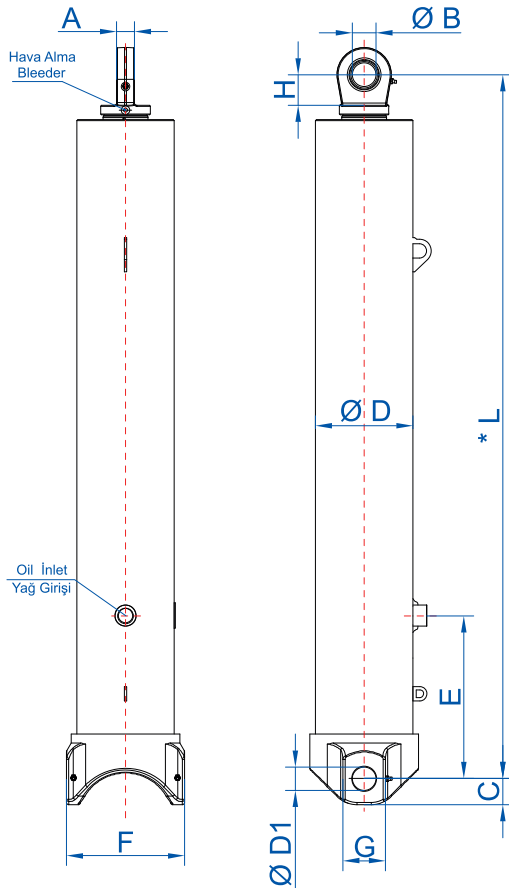
CYLINDER TYPE	NUMBER OF STAGE	TOTAL STROKE	FIRST STAGE DIAMETER	MOUNTING TYPE
LFT	4	3980	155	KR
FRONT LIFTING	7-6-5-4-3-2	REFER TO THE TABLE	230-205-180-155-135-115	KR-BR-RR-RK-KK

## CYLINDER MOUNTING TYPES



KR (1)	RR (2)	BR (3)	RK (4)	KK (5)
--------	--------	--------	--------	--------

# BR TYPE TELESCOPIC CYLINDER



\* MONTAJ BOYU / INSTALLATION LENGTH L(+20 mm / +40 mm)

ROD DIAMETER (mm)	THRUST FORCE (Ton)
Ø230	79
Ø205	62,7
Ø180	48,3
Ø155	35,8
Ø135	27,2
Ø115	19,7
Ø95	13,4
Ø75	8,3
Ø55	4,5

- Çalışma Basıncı / Working Pressure : 190 Bar
- Maksimum Çalışma Basıncı / Maximum Working Pressure : 200 Bar
- Renk / Paint : Ral 9005
- Tüm kademeler sert krom kaplıdır / All stages are hard-chrome plated.
- Silindir boruları EN 10305-1 e göre soğuk çekme St-52 E355+SR sertifikalıdır / All cylinder tubes are St-52 E355+SR cold drawn steel tube according to EN 10305-1 norm
- Tüm bağlantı parçaları dövme çeliktendir / All connection parts are forging steel
- Rulman çapı Ø60mm olması durumunda H mesafesi +35mm olacaktır
- Ø60mm bearing is applicable. In this case H will be +35mm

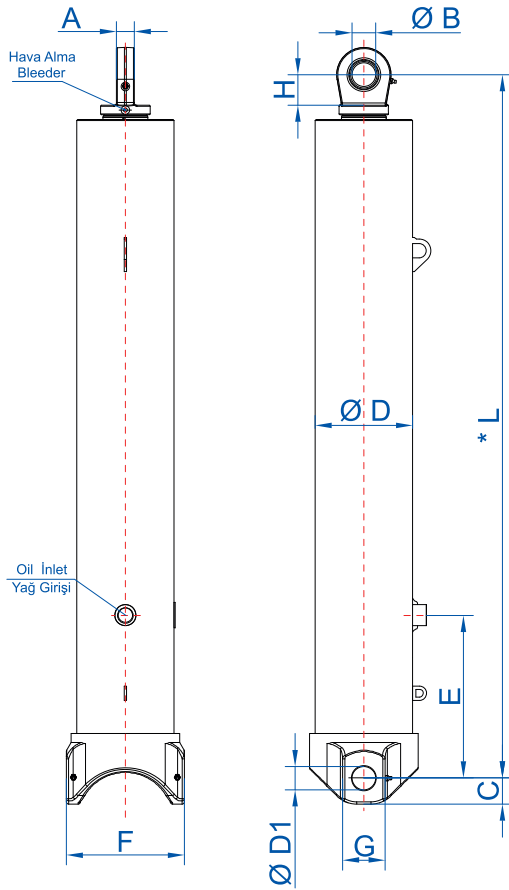
PRODUCT CODE	A	ØB	C	ØD	ØD1	E	F	G	L	H	OIL INLET	OIL VOLUME (LT)	WEIGHT (KG)
LFT-3.115.2385.BR.1	34	50	50	136	50.2	445	165	80	1175	65	R 3/4"	21	85
LFT-3.115.2535.BR.1	34	50	50	136	50.2	445	165	80	1225	65	R 3/4"	22	88
LFT-3.115.2685.BR.1	34	50	50	136	50.2	445	165	80	1275	65	R 3/4"	24	94
LFT-3.115.2835.BR.1	34	50	50	136	50.2	445	165	80	1325	65	R 3/4"	25	97
LFT-3.115.2985.BR.1	34	50	50	136	50.2	445	165	80	1375	65	R 3/4"	27	100
LFT-3.115.3135.BR.1	34	50	50	136	50.2	445	165	80	1425	65	R 3/4"	28	105
LFT-3.115.3285.BR.1	34	50	50	136	50.2	445	165	80	1475	65	R 3/4"	29	110
LFT-3.115.3435.BR.1	34	50	50	136	50.2	445	165	80	1525	65	R 3/4"	31	113
LFT-4.115.3180.BR.1	34	50	50	136	50.2	445	165	80	1175	65	R 3/4"	21	95
LFT-3.135.2385.BR.1	38	50	50	156	50.2	445	200	80	1185	65	R 3/4"	30	110
LFT-3.135.2535.BR.1	38	50	50	156	50.2	445	200	80	1235	65	R 3/4"	32	113
LFT-3.135.2685.BR.1	38	50	50	156	50.2	445	200	80	1285	65	R 3/4"	34	117

# BR TYPE TELESCOPIC CYLINDER



PRODUCT CODE	A	ØB	C	ØD	ØD1	E	F	G	L	H	OIL INLET	OIL VOLUME (LT)	WEIGHT (KG)
LFT-3.135.2835.BR.1	38	50	50	156	50.2	445	200	80	1335	65	R 3/4"	36	121
LFT-3.135.2985.BR.1	38	50	50	156	50.2	445	200	80	1385	65	R 3/4"	38	125
LFT-3.135.3135.BR.1	38	50	50	156	50.2	445	200	80	1435	65	R 3/4"	40	131
LFT-3.135.3285.BR.1	38	50	50	156	50.2	445	200	80	1485	65	R 3/4"	42	135
LFT-3.135.3435.BR.1	38	50	50	156	50.2	445	200	80	1535	65	R 3/4"	44	139
LFT-3.135.3585.BR.1	38	50	50	156	50.2	445	200	80	1585	65	R 3/4"	46	145
LFT-3.135.3735.BR.1	38	50	50	156	50.2	445	200	80	1635	65	R 3/4"	47	150
LFT-3.135.3825.BR.1	38	50	50	156	50.2	545	200	80	1685	65	R 3/4"	49	155
LFT-3.135.3900.BR.1	38	50	50	156	50.2	545	200	80	1735	65	R 3/4"	50	160
LFT-3.135.4050.BR.1	38	50	50	156	50.2	545	200	80	1785	65	R 3/4"	52	166
LFT-3.135.4200.BR.1	38	50	50	156	50.2	545	200	80	1835	65	R 3/4"	55	172
LFT-4.135.3180.BR.1	34	50	50	156	50.2	445	200	80	1180	65	R 3/4"	35	118
LFT-4.135.3380.BR.1	34	50	50	156	50.2	445	200	80	1230	65	R 3/4"	37	122
LFT-4.135.3580.BR.1	34	50	50	156	50.2	445	200	80	1280	65	R 3/4"	39	125
LFT-4.135.3780.BR.1	34	50	50	156	50.2	445	200	80	1330	65	R 3/4"	41	131
LFT-4.135.3980.BR.1	34	50	50	156	50.2	445	200	80	1380	65	R 3/4"	43	136
LFT-4.135.4180.BR.1	34	50	50	156	50.2	445	200	80	1430	65	R 3/4"	46	144
LFT-4.135.4380.BR.1	34	50	50	156	50.2	445	200	80	1480	65	R 3/4"	48	150
LFT-4.135.4580.BR.1	34	50	50	156	50.2	445	200	80	1530	65	R 3/4"	50	155
LFT-4.135.4780.BR.1	34	50	50	156	50.2	445	200	80	1580	65	R 3/4"	52	160
LFT-3.155.2985.BR.1	43	50	55	181	50.2	445	225	90	1385	65	R 1"	51	168
LFT-3.155.3135.BR.1	43	50	55	181	50.2	445	225	90	1435	65	R 1"	54	174
LFT-3.155.3285.BR.1	43	50	55	181	50.2	445	225	90	1485	65	R 1"	56	180
LFT-3.155.3435.BR.1	43	50	55	181	50.2	445	225	90	1535	65	R 1"	59	188
LFT-3.155.3585.BR.1	43	50	55	181	50.2	445	225	90	1585	65	R 1"	62	193
LFT-3.155.3735.BR.1	43	50	55	181	50.2	445	225	90	1635	65	R 1"	64	196
LFT-3.155.3825.BR.1	43	50	55	181	50.2	445	225	90	1685	65	R 1"	66	205
LFT-3.155.3900.BR.1	43	50	55	181	50.2	445	225	90	1735	65	R 1"	67	210
LFT-3.155.4050.BR.1	43	50	55	181	50.2	445	225	90	1785	65	R 1"	70	217
LFT-3.155.4200.BR.1	43	50	55	181	50.2	445	225	90	1835	65	R 1"	72	226
LFT-3.155.4350.BR.1	43	50	55	181	50.2	445	225	90	1885	65	R 1"	75	230
LFT-4.155.3580.BR.1	38	50	55	181	50.2	445	225	90	1285	65	R 1"	54	165
LFT-4.155.3780.BR.1	38	50	55	181	50.2	445	225	90	1335	65	R 1"	57	144
LFT-4.155.3980.BR.1	38	50	55	181	50.2	445	225	90	1385	65	R 1"	60	180

# BR TYPE TELESCOPIC CYLINDER



\* MONTAJ BOYU / INSTALLATION LENGTH L(+20 mm / +40 mm)

ROD DIAMETER (mm)	THRUST FORCE (Ton)
Ø230	79
Ø205	62,7
Ø180	48,3
Ø155	35,8
Ø135	27,2
Ø115	19,7
Ø95	13,4
Ø75	8,3
Ø55	4,5

- Çalışma Basıncı / Working Pressure : 190 Bar
- Maksimum Çalışma Basıncı / Maximum Working Pressure : 200 Bar
- Renk / Paint : Ral 9005
- Tüm kademeler sert krom kaplıdır / All stages are hard-chrome plated.
- Silindir boruları EN 10305-1 e göre soğuk çekme St-52 E355+SR sertifikalıdır / All cylinder tubes are St-52 E355+SR cold drawn steel tube according to EN 10305-1 norm
- Tüm bağlantı parçaları dövme çeliktendir / All connection parts are forging steel
- Rulman çapı Ø60mm olması durumunda H mesafesi +35mm olacaktır
- Ø60mm bearing is applicable. In this case H will be +35mm

PRODUCT CODE	A	ØB	C	ØD	ØD1	E	F	G	L	H	OIL INLET	OIL VOLUME (LT)	WEIGHT (KG)
LFT-4.155.4180.BR.1	38	50	55	181	50.2	445	225	90	1435	65	R 1"	63	187
LFT-4.155.4380.BR.1	38	50	55	181	50.2	445	225	90	1485	65	R 1"	66	194
LFT-4.155.4580.BR.1	38	50	55	181	50.2	445	225	90	1535	65	R 1"	69	200
LFT-4.155.4780.BR.1	38	50	55	181	50.2	445	225	90	1585	65	R 1"	72	210
LFT-4.155.4980.BR.1	38	50	55	181	50.3	445	225	90	1635	65	R 1"	75	215
LFT-4.155.5100.BR.1	38	50	55	181	50.2	545	225	90	1685	65	R 1"	77	220
LFT-4.155.5200.BR.1	38	50	55	181	50.2	545	225	90	1735	65	R 1"	78	224
LFT-4.155.5400.BR.1	38	50	55	181	50.2	545	225	90	1785	65	R 1"	81	230
LFT-4.155.5600.BR.1	38	50	55	181	50.2	545	225	90	1835	65	R 1"	84	238
LFT-4.155.5800.BR.1	38	50	55	181	50.2	545	225	90	1885	65	R 1"	87	248
LFT-5.155.5225.BR.1	34	50	55	181	50.2	445	225	90	1430	65	R 1"	69	195
LFT-5.155.5475.BR.1	34	50	55	181	50.2	445	225	90	1480	65	R 1"	72	203

# BR TYPE TELESCOPIC CYLINDER



PRODUCT CODE	A	ØB	C	ØD	ØD1	E	F	G	L	H	OIL INLET	OIL VOLUME (LT)	WEIGHT (KG)
LFT-5.155.5725.BR.1	34	50	55	181	50.2	445	225	90	1530	65	R 1"	75	215
LFT-4.180.4180.BR.1	43	50	55	206	50.2	445	250	90	1440	65	R 1"	85	233
LFT-4.180.4380.BR.1	43	50	55	206	50.2	445	250	90	1490	65	R 1"	89	244
LFT-4.180.4580.BR.1	43	50	55	206	50.2	445	250	90	1540	65	R 1"	93	255
LFT-4.180.4780.BR.1	43	50	55	206	50.2	445	250	90	1590	65	R 1"	97	263
LFT-4.180.4980.BR.1	43	50	55	206	50.2	445	250	90	1640	65	R 1"	101	270
LFT-4.180.5100.BR.1	43	50	55	206	50.2	545	250	90	1690	65	R 1"	103	274
LFT-4.180.5200.BR.1	43	50	55	206	50.2	545	250	90	1740	65	R 1"	105	280
LFT-4.180.5400.BR.1	43	50	55	206	50.2	545	250	90	1790	65	R 1"	110	288
LFT-4.180.5600.BR.1	43	50	55	206	50.2	545	250	90	1840	65	R 1"	114	300
LFT-4.180.5800.BR.1	43	50	55	206	50.2	545	250	90	1890	65	R 1"	118	309
LFT-5.180.4975.BR.1	38	50	55	206	50.2	445	250	90	1390	65	R 1"	89	230
LFT-5.180.5225.BR.1	38	50	55	206	50.2	445	250	90	1440	65	R 1"	94	240
LFT-5.180.5475.BR.1	38	50	55	206	50.2	445	250	90	1490	65	R 1"	102	250
<b>LFT-5.180.5725.BR.1</b>	38	50	55	206	50.2	445	250	90	1540	65	R 1"	103	260
LFT-5.180.5975.BR.1	38	50	55	206	50.2	445	250	90	1590	65	R 1"	107	270
LFT-5.180.6225.BR.1	38	50	55	206	50.2	445	250	90	1640	65	R 1"	112	276
LFT-5.180.6375.BR.1	38	50	55	206	50.2	545	250	90	1690	65	R 1"	114	290
LFT-5.180.6500.BR.1	38	50	55	206	50.2	545	250	90	1740	65	R 1"	117	300
LFT-5.180.6750.BR.1	38	50	55	206	50.2	545	250	90	1790	65	R 1"	121	310
LFT-5.180.7000.BR.1	38	50	55	206	50.2	545	250	90	1840	65	R 1"	126	317
LFT-5.180.7250.BR.1	38	50	55	206	50.2	545	250	90	1890	65	R 1"	130	326
LFT-5.205.4975.BR.1	43	50	60	230	60.5	445	260	110	1395	65	R 1"	119	310
LFT-5.205.5225.BR.1	43	50	60	230	60.5	445	260	110	1445	65	R 1"	125	319
LFT-5.205.5475.BR.1	43	50	60	230	60.5	445	260	110	1495	65	R 1"	130	330
LFT-5.205.5725.BR.1	43	50	60	230	60.5	445	260	110	1545	65	R 1"	137	336
LFT-5.205.5975.BR.1	43	50	60	230	60.5	445	260	110	1595	65	R 1"	143	346
LFT-5.205.6225.BR.1	43	50	60	230	60.5	545	260	110	1645	65	R 1"	148	357
LFT-5.205.6375.BR.1	43	50	60	230	60.5	545	260	110	1695	65	R 1"	152	368
LFT-5.205.6500.BR.1	43	50	60	230	60.5	545	260	110	1745	65	R 1"	155	380
LFT-5.205.6750.BR.1	43	50	60	230	60.5	545	260	110	1795	65	R 1"	161	390
LFT-5.205.7000.BR.1	43	50	60	230	60.5	545	260	110	1845	65	R 1"	167	410
LFT-5.205.7250.BR.1	43	50	60	230	60.5	545	260	110	1895	65	R 1"	173	420